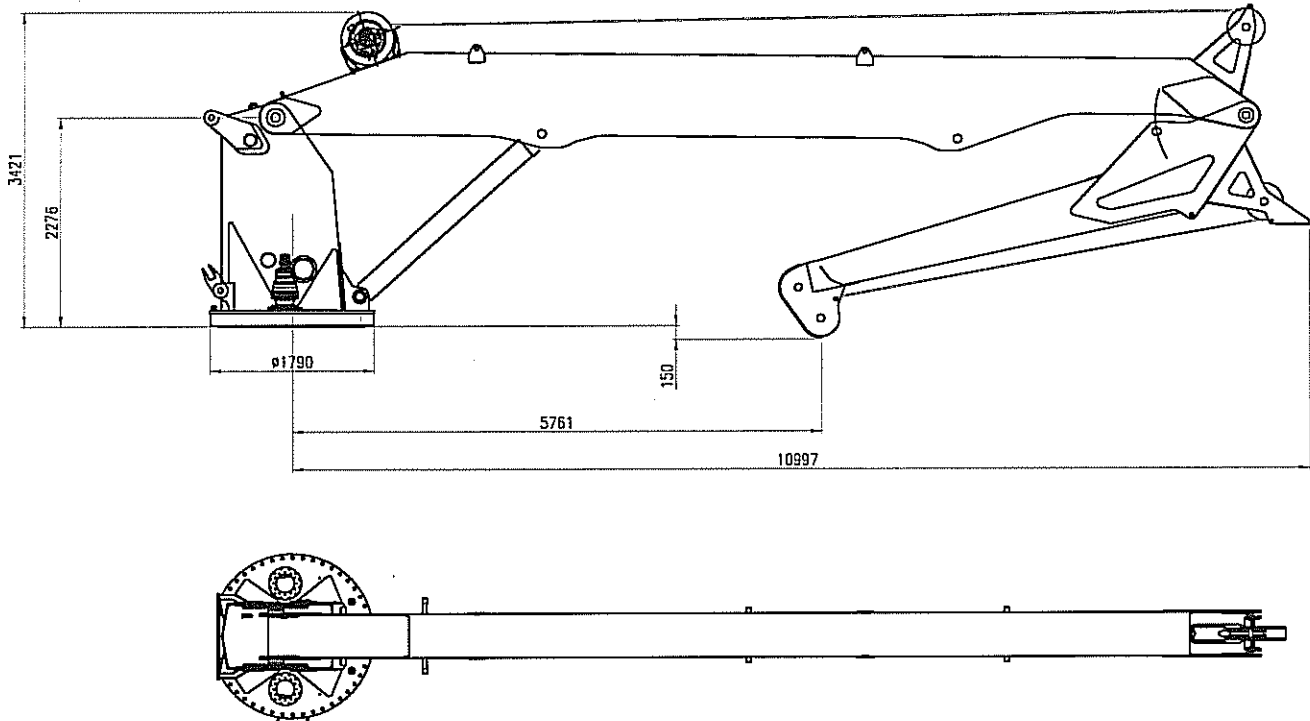




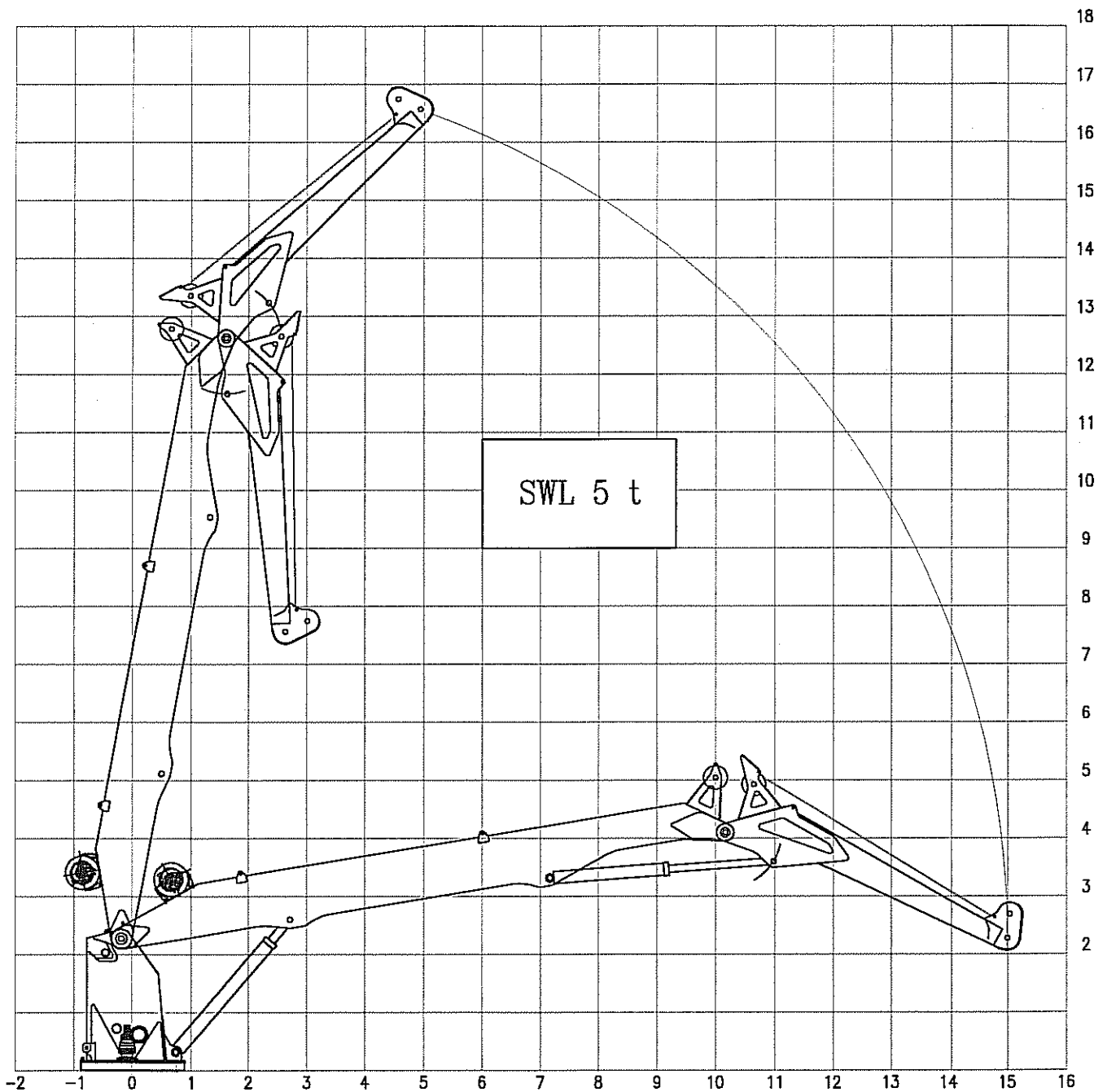
CRANE TYPE: HR 120/15-2BJ



TECHNICAL DATA

Max dynamic moment	176000	kg*m
Max vertical force	21700	kg
Slewing torque	16000	kg*m
Slewing angle	Continuos	
Slewing speed	0.6	rpm
Max working pressure	300	bar
Oil flow	120	l/min
Recommended oil quantity	400	l
Mass weight (excluding pedestal)	11000	kg
Winch SWL	5000	kg
Hoisting speed (1st/9th layer)	30	m/min
Total lenght of rope	80	m
Rope diameter	18	mm
Main boom speed (luffing/lowering)	40/32	s
Jib speed (luffing/lowering)	26/22	s

WORKING DIAGRAM



CRANE TYPE: HR 120/15-2BJ

DIAGRAM REFERRED TO CRANE USED AT "0" SEA ROUGHNESS OR AT HARBOUR CONDITION
MAX HEEL/TRIM: 5°/2° - DYNAMIC FACTOR 1.5
IF THE CRANE IS USED OFF SHORE IN ROUGHER SEA CONDITIONS, CONTACT THE
MANUFACTURER TO ESTABLISH LOADING CAPACITIES OR REDUCTION PARAMETERS.