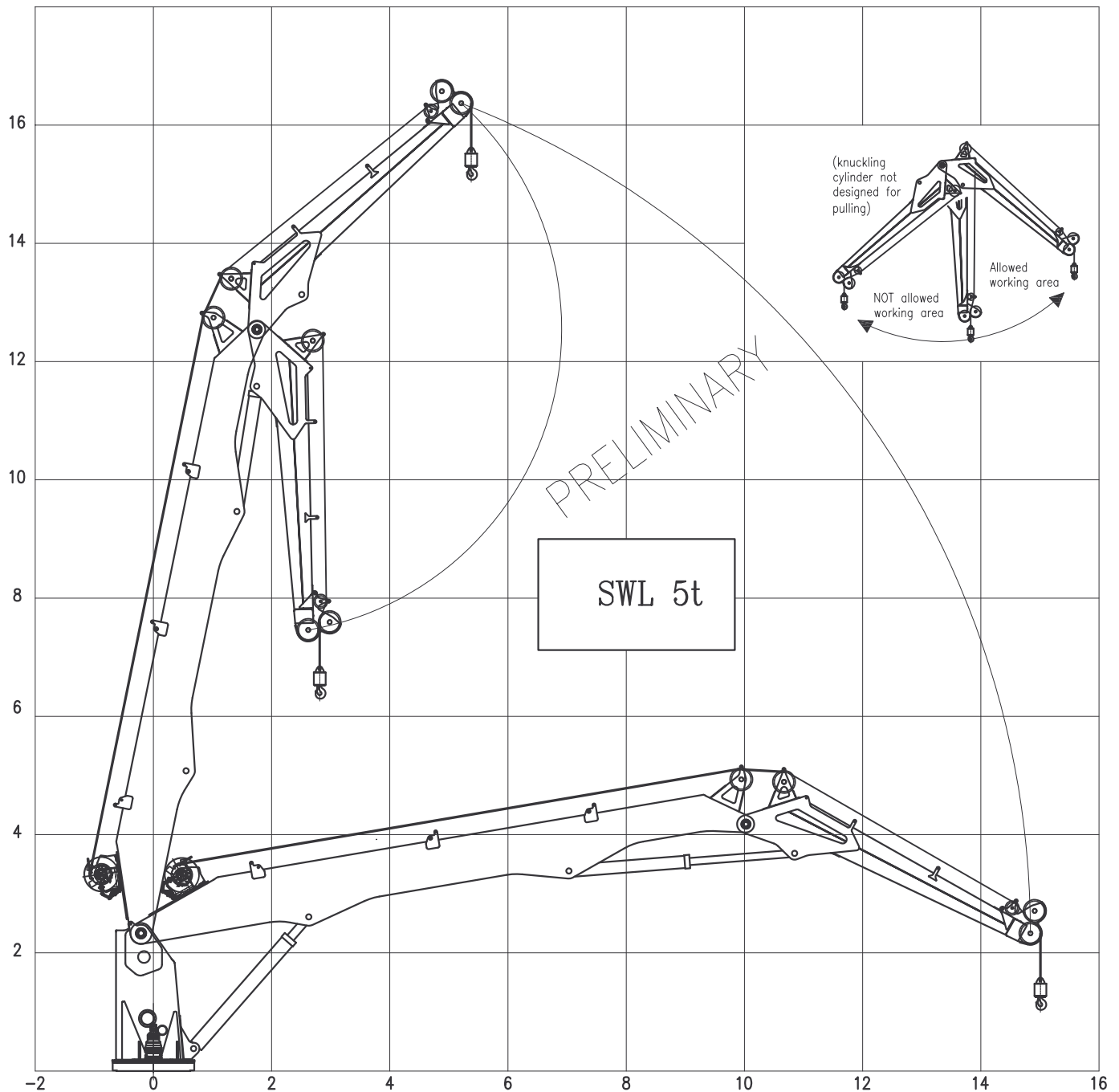




# WORKING DIAGRAM

Custom Built Marine & Offshore Cranes



CRANE TYPE: HR 100/15-2BJ

DIAGRAM REFERRED TO CRANE USED AT "0" SEA ROUGHNESS OR AT HARBOUR CONDITION  
MAX HEEL/TRIM: 5°/2°

IF THE CRANE IS USED OFF SHORE IN ROUGHER SEA CONDITIONS, CONTACT THE  
MANUFACTURER TO ESTABLISH LOADING CAPACITIES OR REDUCTION PARAMETERS.



Custom Built Marine & Offshore Cranes

# HR 100/ 15-2BJ

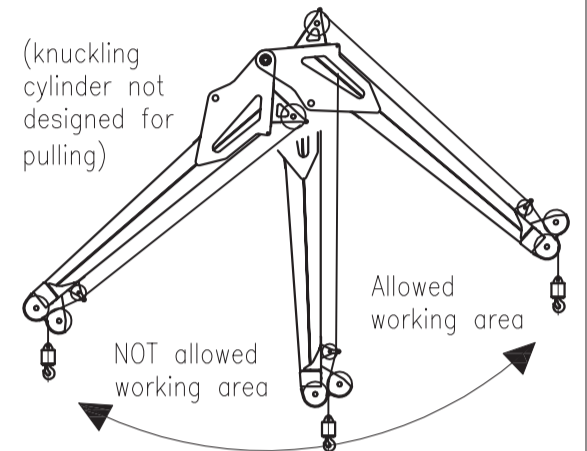
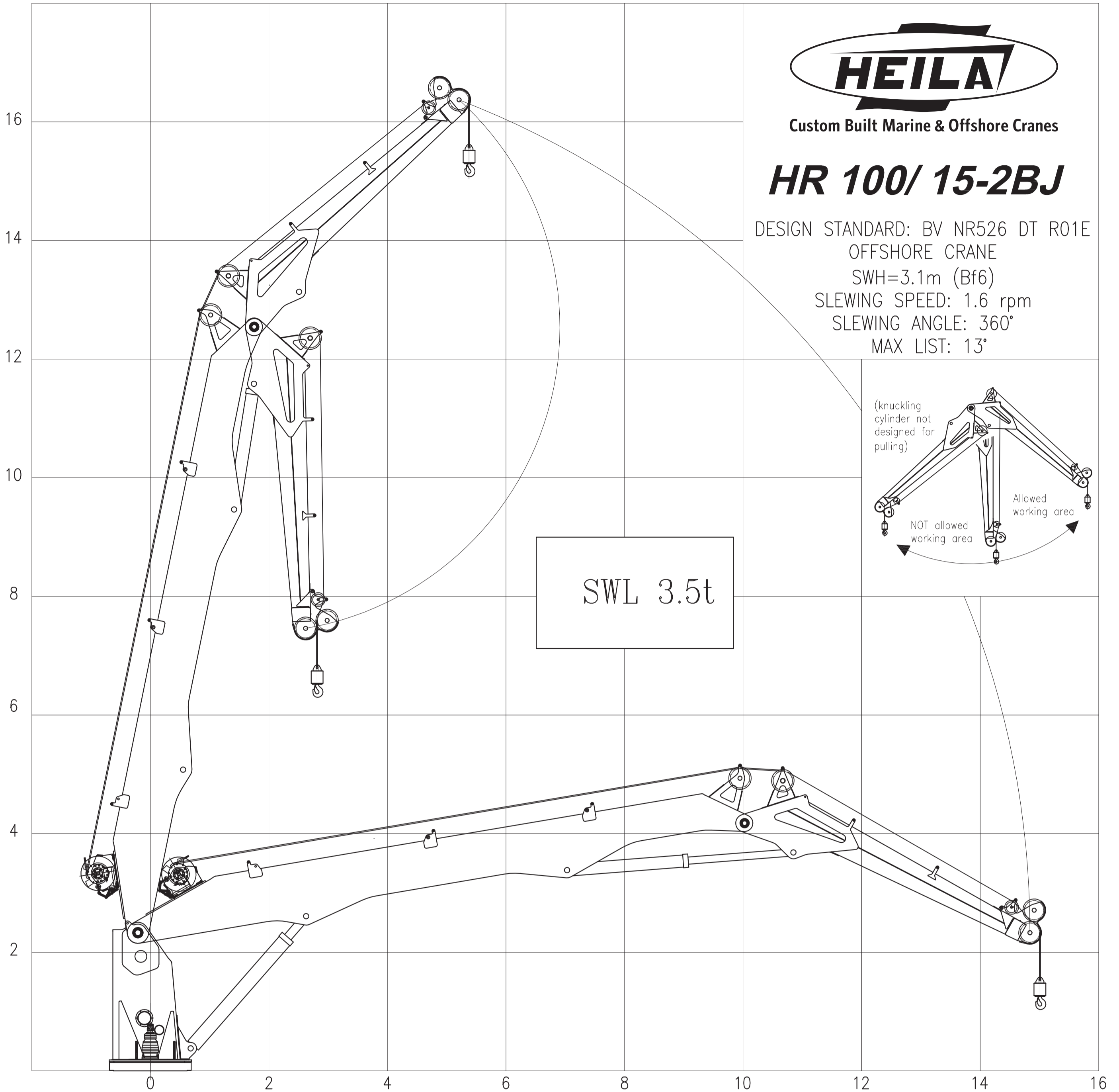
DESIGN STANDARD: BV NR526 DT R01E  
OFFSHORE CRANE

SWH=3.1m (Bf6)

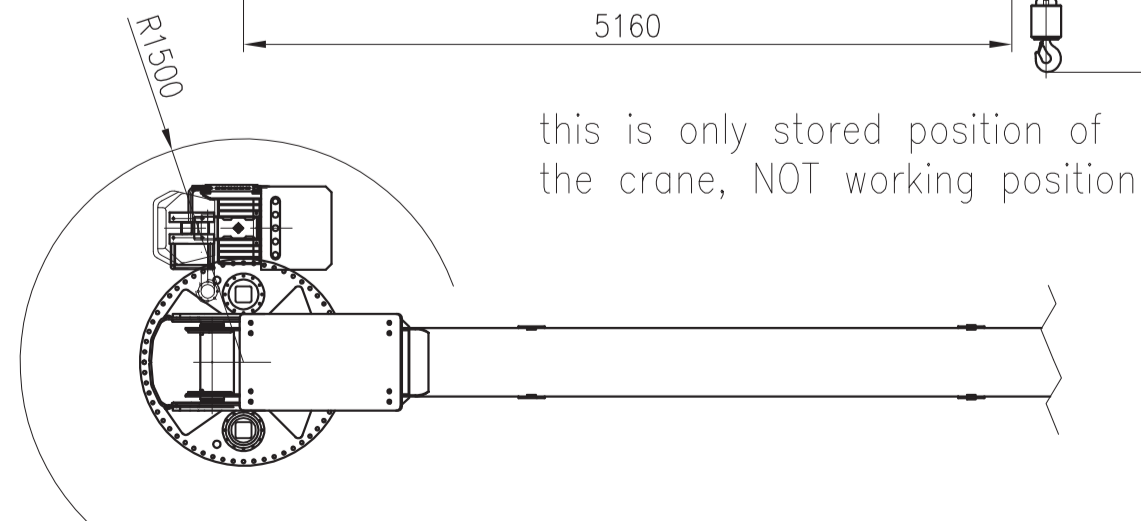
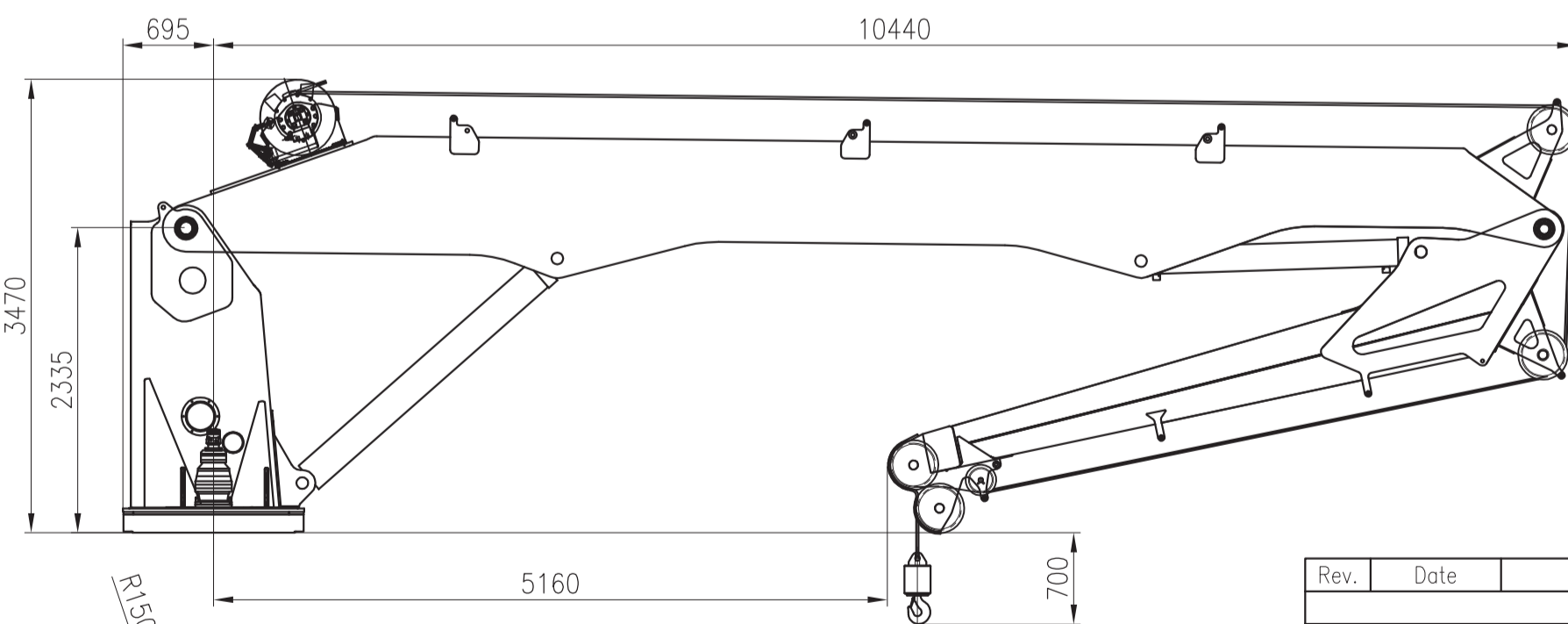
SLEWING SPEED: 1.6 rpm

SLEWING ANGLE: 360°

MAX LIST: 13°



SWL 3.5t



Rev.	Date	Description	Issued	Checked	Approved
REVISION HISTORY					
QUESTO DOCUMENTO, E LE INFORMAZIONI IN ESSO CONTENUTE NON POSSONO ESSERE DIVULGATE O UTILIZZATE PER QUALUNQUE SCOPO SENZA AUTORIZZAZIONE SCRITTA DELLA HEILA CRANES S.p.A. CHE NE HA LA PROPRIETA'. THIS DOCUMENT AND ANY INFORMATION HEREIN CONTAINED CANNOT BE DISCLOSED OR USED FOR ANY PURPOSE WITHOUT THE WRITTEN CONSENT OF HEILA CRANES S.p.A. WHICH OWNS THE INTELLECTUAL PROPERTY.					
 Custom Built Marine & Offshore Cranes		Quote senza indicazione di tolleranza: classe "MEDIA" UNI ISO 22768-1	SCALE	1:50	
		TOTAL SHEETS 1	FORMAT	A2	
NUMBER					
TITLE Load diagram and main dimensions crane type HR 100/15-2BJ					
CONTRACT/PROJET		CERTIFICATION	CODE	EDIT INDEX	
		BV	-	00	
DATE		DESIGNED	CHECKED	APPROVED	