

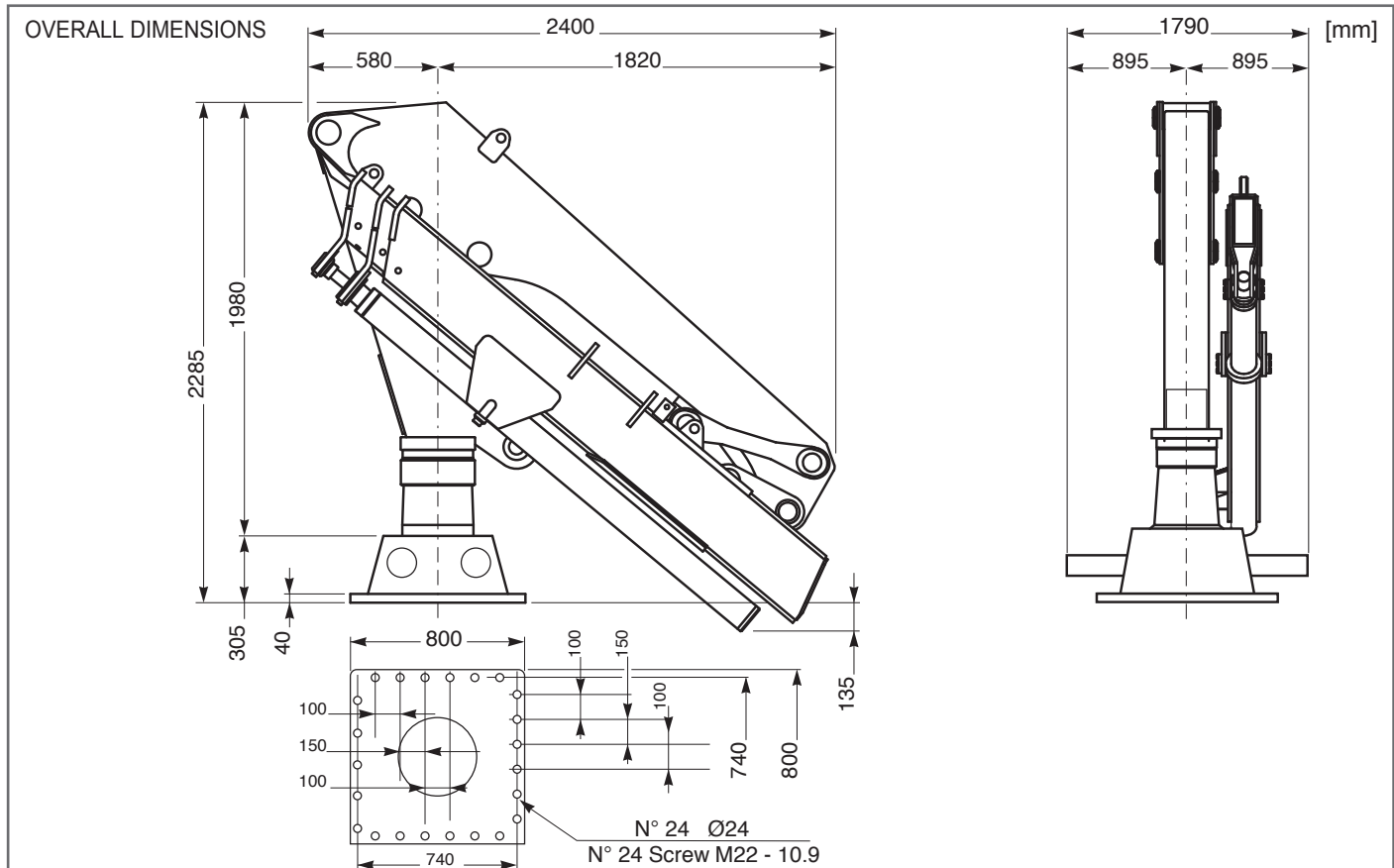


Custom Built Marine & Offshore Cranes

FULLY FOLDABLE CRANE

HLM 20-2S MODEL

TECHNICAL SPECIFICATION



TECHNICAL DATA

Hydraulic extensions	N°	2	Empty weight of the crane	kg	2900
Net lifting moment	t-m	20,5	Recommended amount of oil	lt	180
Slewing torque	kg-m	2900	Slewing speed	rpm	1
Slewing angle (continuous)	°	400	Main boom lifting time	sec	45
Pump capacity	lt/min	50	Secondary boom articulation time	sec	50
Max working pressure	bar	240	Boom element extension time	sec	30

STANDARD FEATURES

AVAILABLE OPTIONS

	3000 kg direct pull winch rope Ø 14
	Winch limit switch
	Column-mounted control panel
	Load limiting device
	Size 5 electrohydraulic power pack (22 kW)
	Control panel out of the crane
	1st manual extension 1750 kg @ 10,68 m (**)
	2nd manual extension 1320 kg @ 12,77 m (**)
	3rd manual extension 900 kg @ 14,86 m (**)

(**) The use is not allowed for winching purposes

HLM20-2S Rev.00

The technical data contained in this card are only indicative and can be changed without notice.

HEILA CRANES S.p.A. | Via Romana 34/6 - 42028 Poviglio (RE) Italy | info@heila.com | www.heila.com

July 2015

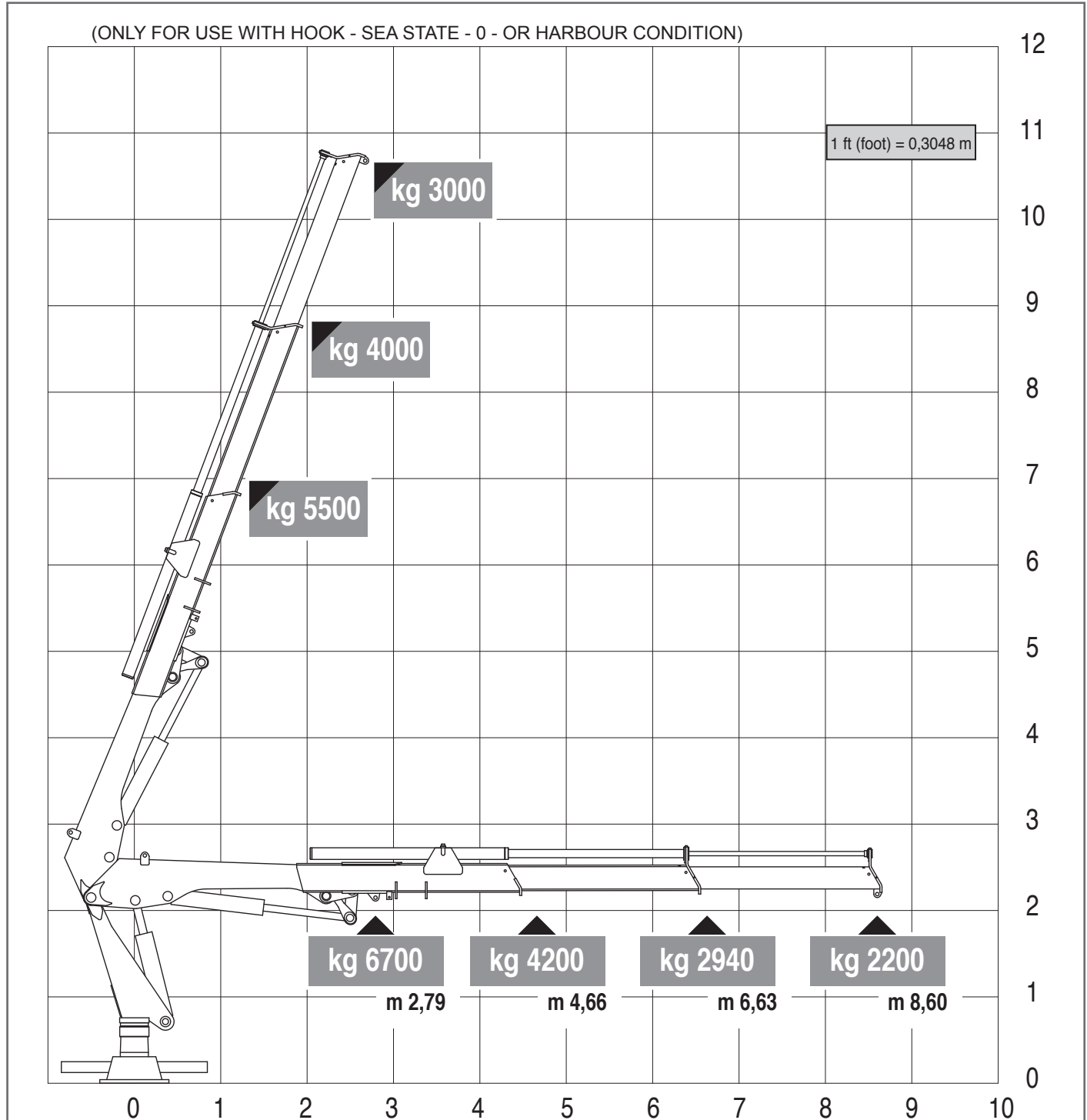


Custom Built Marine & Offshore Cranes

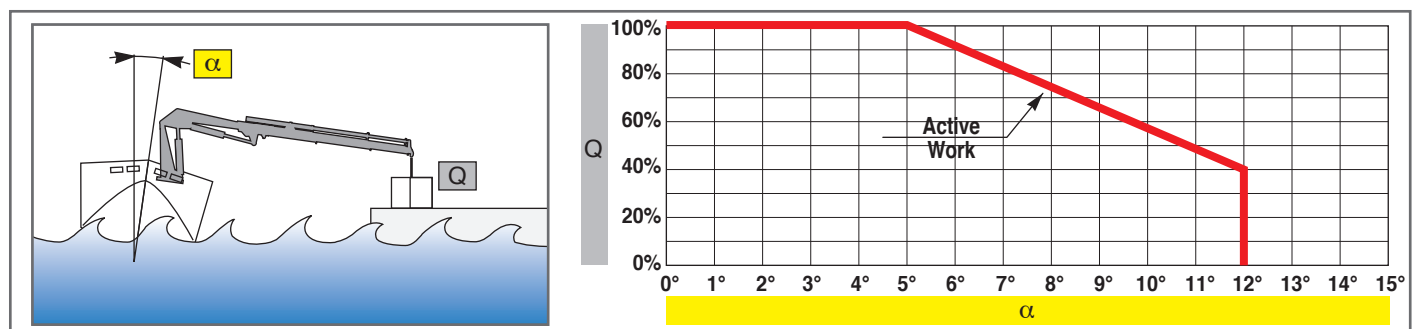
FULLY FOLDABLE CRANE

HLM 20-2S MODEL

TECHNICAL SPECIFICATION



July 2015



The technical data contained in this card are only indicative and can be changed without notice.

HLM20-2S Rev.00